

Advantages

High Efficiency

Single & Dual
Lamp Models

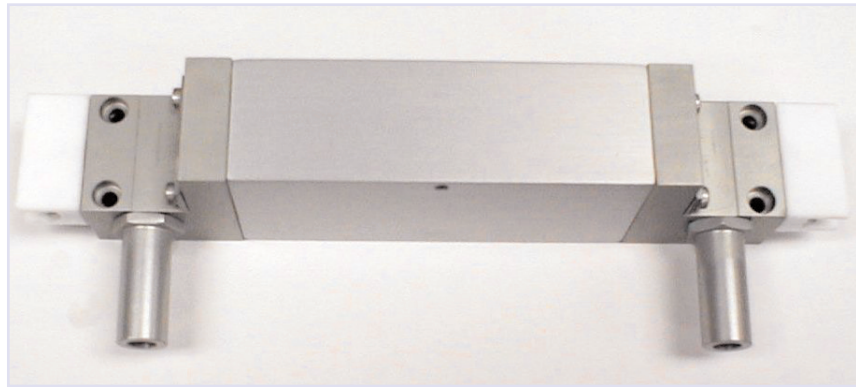
Designs for Most
Wavelengths

Diffuse Cavity

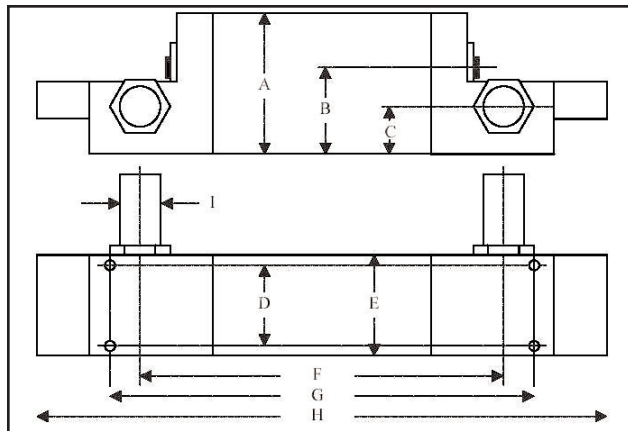
Ce³⁺ or SM³⁺ Filter
Tubes Available

Competitive OEM
Prices

Laser Cavities



New Source Technology supplies high quality laser pump chambers for a variety of laser applications covering all solid-state laser wavelengths. Our pump chamber designs provide unsurpassed performance, reliability and leak integrity to meet the demanding needs of your laser system design. Through many years experience, we have optimized our pump chamber designs to provide features such as high efficiency diffuse reflectors and symmetric radial cooling. Standard pump chambers can be delivered off-the-shelf while the modular design allows for cost effective custom solutions. Contact us today to learn more about improving your performance and reducing the cost of your solid state pump chamber needs! Combined with our flash-lamps, optics and crystals New Source Technology can provide you with complete laser heads to your specifications.



Standard Models

Model	A:	B:	C:	D:	E:	F:	G:	H:	I:*
3X50	34.0	20.5	11.8	18.0	25.0	65	80	116	Dia. 10.0
3X75	34.0	20.5	11.8	18.0	25.0	90	105	141	Dia. 10.0
4X75	34.5	21.0	11.8	18.0	25.0	90	105	141	Dia. 10.0
4X100	34.5	21.0	11.8	18.0	25.0	115	130	166	Dia. 10.0
4X125	34.5	21.0	11.8	18.0	25.0	140	155	191	Dia. 10.0
5X75	35.0	21.5	11.8	18.0	25.0	90	105	141	Dia. 10.0
5X100	35.0	21.5	11.8	18.0	25.0	115	130	166	Dia. 10.0
5X125	35.0	21.5	11.8	18.0	25.0	140	155	191	Dia. 10.0
5X150	35.0	21.5	11.8	18.0	25.0	165	180	216	Dia. 10.0

*Custom designs available