

Laser Lamps

Optics

Cavities

Power Supplies

Safety Eyewear

Company Profile

New Source Technology, LLC has supported the laser industry since 1996 with custom critical products such as power electronics, optics, and flash and arc lamps. Since then, New Source has developed a global presence and reputation throughout the industry for supplying quality products in challenging medical, industrial, and scientific applications. Our success and growth is directly attributed to our commitment in building a strong partnership relationship between customers, understanding the engineering requirements, and delivering the most technologically advanced products with the consistency needed for markets that cannot afford unscheduled interrupted manufacturing or procedures. Our dedication to delivering superior value further enhances New Source's reputation as your trusted laser components partner.

Service & Support

New Source Technology is committed to providing a high level of technical expertise and support services at every stage of a customer's product life cycle - from research and development to production, and beyond. Please feel free to ask us for technical briefs, worksheets, and white papers for further information regarding our products.

Contact Us:

1249 Quarry Lane, Suite 100
Pleasanton, CA 94566
Phone: 925/462-6888
Fax: 925/462-8388
Email: sales@newsourcetechnology.com



Laser Lamps

Laser OEMs demand maximum output performance without sacrificing lamp life and durability. All New Source Technology lamps are designed and manufactured to these exacting requirements, providing customers a product solution they can rely upon in their system at a cost advantage that enables them to be competitive.

Because a laser lamp is unique to each system application, optical engineers rely on New Source Technology's twenty plus years of collective experience in the design and manufacturing of flash lamps and arc lamps.

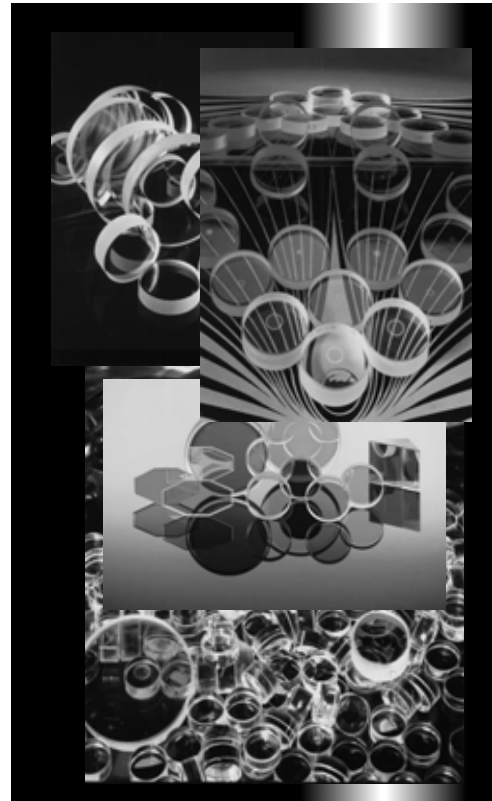
To understand your lamp needs, feel free to contact us to discuss your application requirements or complete a downloaded inquiry sheet from our website and send it to us via fax or email.

Laser Optics

New Source Technology specializes in custom laser optics for challenging applications that ask a lot of performance with respect to a high damage threshold and low temperature sensitivity. The end result is high optical performance, durability, and reliability. We accomplish this by providing dielectric coatings using conventional physical vapor deposition or ion-assisted processes on a variety of flat or radiused substrates — BK-7, sapphire, CaF₂, ZnSe, fused silica, silicon, and germanium.

We offer a wide range of finished laser optics including: cavity optics, beam steering mirrors, beam splitters, focusing lenses, and windows at wavelengths from 193 nm to 10.6 μ m.

Our experience and knowledge in working with optical engineers has given us the core competence to understand your specifications and meet your performance requirements.



NEW SOURCE
TECHNOLOGY_{LLC}



Power Supplies

In a strategic partnership with Lumina Power Inc. (Peabody, MA), New Source is able to equip OEMs in the Western US and Asia with the most advanced power electronics solution for challenging high discharge laser systems. All standard and custom-designed power supplies meet stringent agency safety and emission requirements, essential for ensuring reliable medical or industrial systems.



Standard Power Supplies

The products range from continuous wave laser diode drivers (LDD), quasi-continuous wave laser diode drivers (LDQCW), to capacitor charging power supplies (CCPF). Feel free to contact us to discuss your application requirements or for further information about the standard power supplies. For more detail, visit our website.



Custom Power Supplies

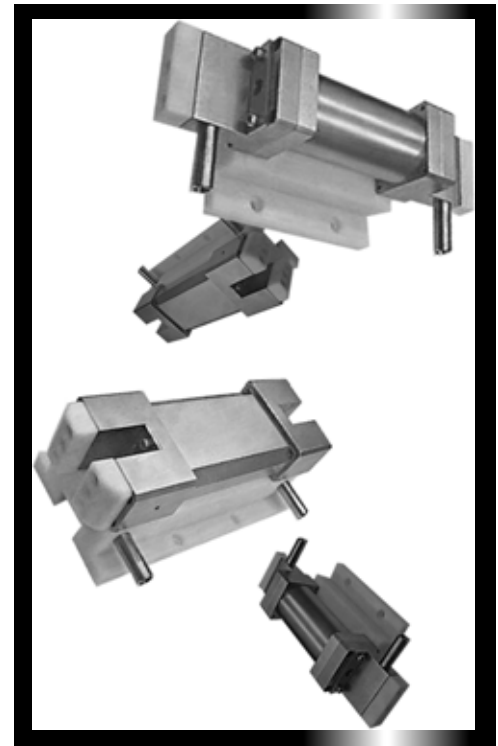
NST and Lumina Power have the expertise and experience to design for almost any power supply requirements in the laser industry. With experience in high voltage (>300kV) and high power (>130kW), we can adapt configurations from our library of power supply topologies to meet any requirement imaginable. Please feel free to contact us with your challenging custom requirements for consultation.

Cavities

Solid-state laser durability and reliability depend upon the performance quality of its pump cavity. New Source Technology can provide custom-designed chambers of very high beam quality, efficiency, and pumping uniformity to withstand demanding industrial manufacturing environments. Because of the material chosen to build our products, New Source Technology cavities are industrially-hardened components that require little to no maintenance and long lifetimes.

Power ratings range from 800W - 1500W for pulsed Nd:YAG, Nd:YAP, Nd:YSGG, Er: YAG, Er:Glass, Alexandrite, and others.

To understand your cavity needs, feel free to contact us to discuss your application requirements.



NEW SOURCE
TECHNOLOGY LLC

Phone: (925) 462-6888

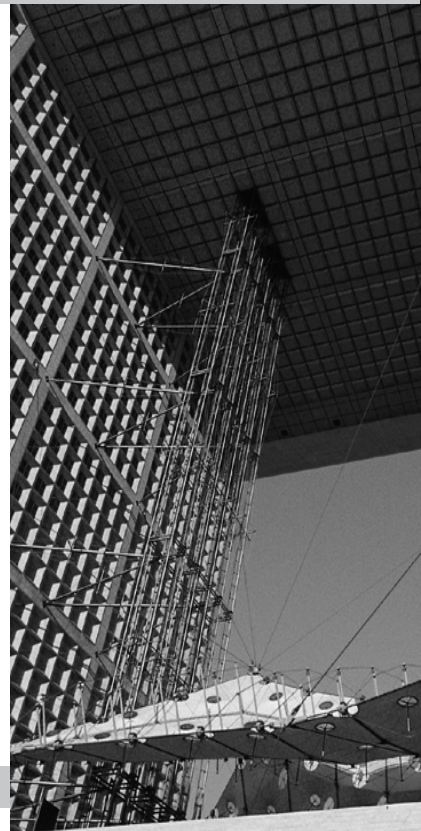
Fax: (925) 462-8388

sales@newsourcetechnology.com

1249 Quarry Lane, Suite 100, Pleasanton, CA 94566 USA

Corporate Details

Address: 1249 Quarry Lane, Ste. #100
Pleasanton, California 94566 U.S.A.
Tel: (925) 462-6888
Fax: (925) 462-8388
Email: sales@newsourcetechnology.com
Website: www.newsourcetechnology.com
Ownership: Privately Held
Federal Tax I.D. #94-3249646
Bank: Citibank, F.S.B.
President: Gregory A. Pon
Accountant: Henry Liu, C.P.A.
Corporate Lawyer: Bret J. Treier, Esq.ss
Sales Manager, Japan: Hideki Matsushita
Sales Manager, U.S.: Barry Essig
Export Sales Manager: Kaymen A. Lim
Employees: 20
Established: 1996

**Nature of Company:**

New Source Technology, LLC (NST) is a California based limited liability company. NST specializes in the design, manufacture, and/or distribution of laser components with a special emphasis on laser lamps, optics, yag rods, and diffuse and specular solid-state pump chambers. Our clients, which are primarily located in the U.S. and Asia, are typically OEM customers but also include distributors and end users.